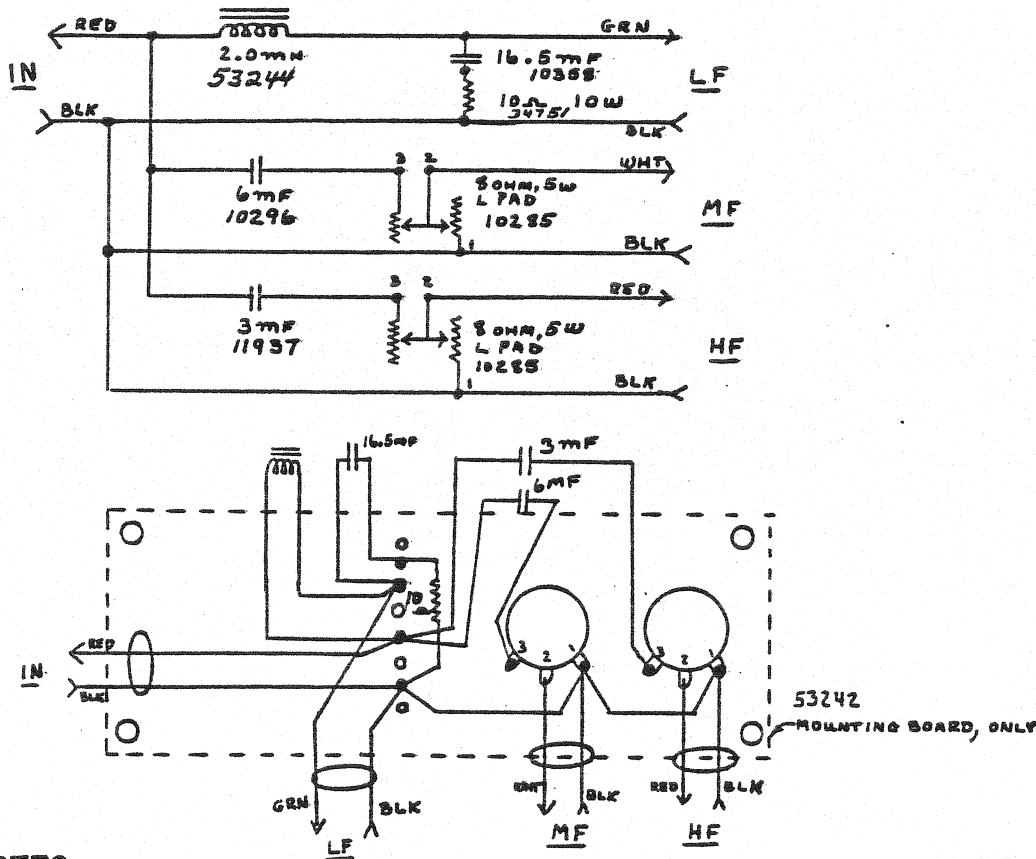


SPECIFICATIONS: NOTE ①

LOAD Z	LOW PASS	CROSS OVER	HIGH PASS	ATTENUATION
	700HZ	1.3KHZ		1.3KHZ
8	LF-4 MF-14	LF -10 MF -10		MF -VAR
		1.7KHZ		
8		LF -13 HF -13		HF -VAR

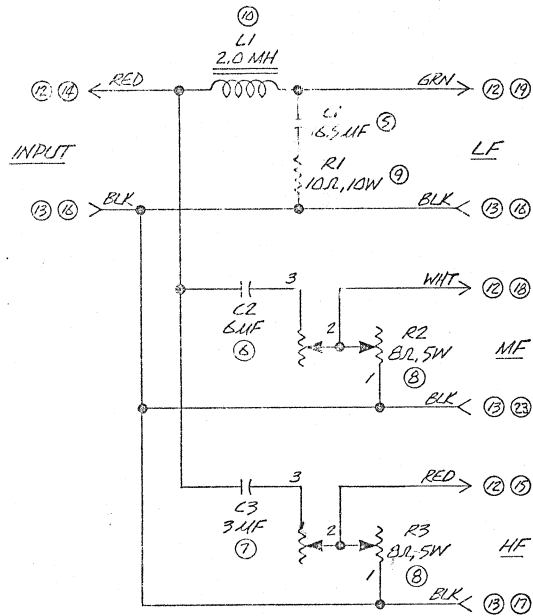
CIRCUIT:



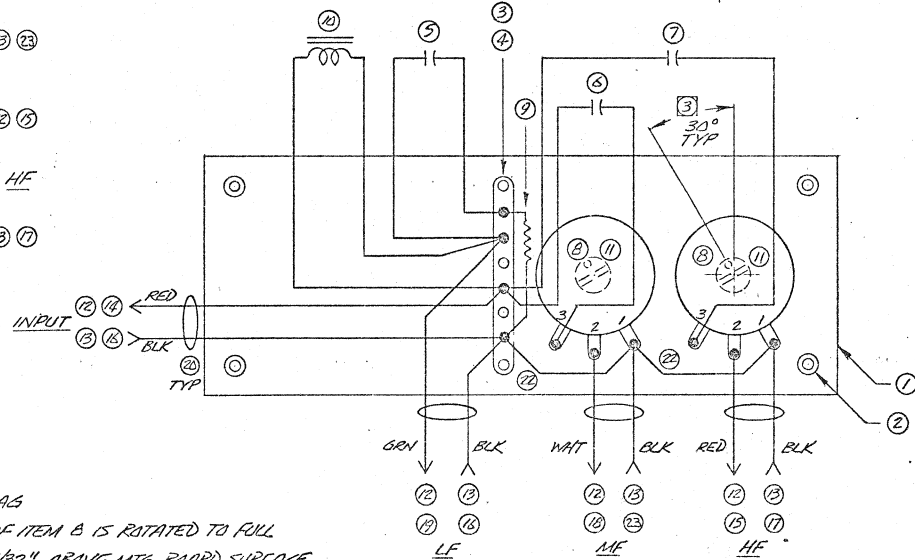
NOTES:

- ① USE STANDARD TEST FIXTURE

THESE DRAWINGS AND SPECIFICATIONS ARE THE PROPERTY OF JAMES B. LANSING SOUND INC. THEY ARE ISSUED IN STRICT CONFIDENCE AND SHALL NOT BE REPRODUCED, COPIED, OR USED AS THE BASIS FOR MANUFACTURE OR SALE OF APPARATUS WITHOUT PERMISSION.



ITEM	PART NO	QTY	DESCRIPTION	
1	58242	1	MOUNTING BOARD MRD 50291	
2	51204	4	THREADED RIVET 8-32	
3	10239	1	TERMINAL STRIP 6T	
4	53273	2	RIVET	
5	10358	1	CAPACITOR 16.5 MF	C1
6	10296	1	" 6 MF	C2
7	11937	1	" 3 MF	C3
8	10285	2	L-PAD B DIMS, 5W	R2, R3
9	34751	1	RESISTOR 10 OHM, 10W MRD 35491	R1
10	58244	1	INDUCTANCE COIL 2.0 MH	L1
11	52192	2	KNOB MRD 52191	
12	50473	4	TERMINAL MALE	
13	50289	4	" FEMALE	
14	37960	1	WIRE, RED 18" MRD 37050	
15	37948	1	" " 12" "	
16	37635	2	" BLK 18" MRD 37055	
17	37623	1	" " 12" "	
18	37566	1	" WHIT 16" MRD 37058	
19	37895	1	" GRN 18" MRD 37051	
20	35353.5	1/2	CABLE TIE	
21	52194	4	SCREW PHAN 8-32X1/4	
22	37591	2	WIRE BLACK 3" MRD 37055	
23	37631	1	WIRE BLACK 16" MRD 37055	



- ④ INDICATED ITEMS TO BE PACKED IN 117155 BAG
- ③ KNOB TO BE INSTALLED AS SHOWN WHEN SHAFT OF ITEM B IS ROTATED TO FULL "LW" POSITION. TOP OF KNOB TO PROTRUDE 25/32" ABOVE MTG. BOARD SURFACE.
- ② INDICATED ITEMS BONDED TO ITEM 1 WITH 501825 ADHESIVE
  1. SEE DRAWING 53245 REF FOR TEST SPECS

NOTES:

REV	DATE	BY	APPD.	DESCRIPTION
1				REV PER E.O.
2				50673 WKS 2494 (ITEM 4)
3				REL FOR PROD

UNLESS OTHERWISE SPECIFIED DIMENSIONS ARE IN INCHES DIMENSIONS IN PARENTHESES ARE IN MILLIMETERS	DRAWN: 263277	CHECKED: 439	DATE: 1/3/74
DECIMALS: .0001	FRACTIONS: 1/32	ANGULAR: 30°	
TIT: MATERIAL	TREATMENT	FINISH: V	SCALE: 1:1
DO NOT SCALE DRAWING			

JBL	JAMES B. LANSING SOUND INC.	TITLE: MRD ITEM / SALES MODEL, NBS
SIZE: C	DRAWING NUMBER: 55245	REV: C
SCALE: ---	WEIGHT: ---	SHEET: 1 OF 1